

Handling Instructions for Cambridge Doors

SHORT TERM STORAGE

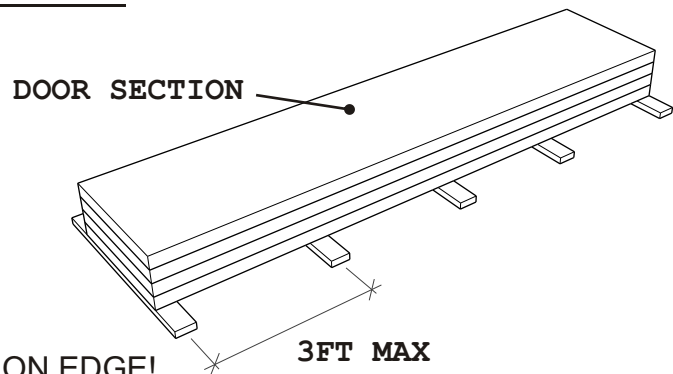
Store the doors as shown:

OFF the ground on a flat surface

Support every 2 to 3 feet

Cover to protect from the elements

DO NOT STORE DOOR SECTIONS ON EDGE!

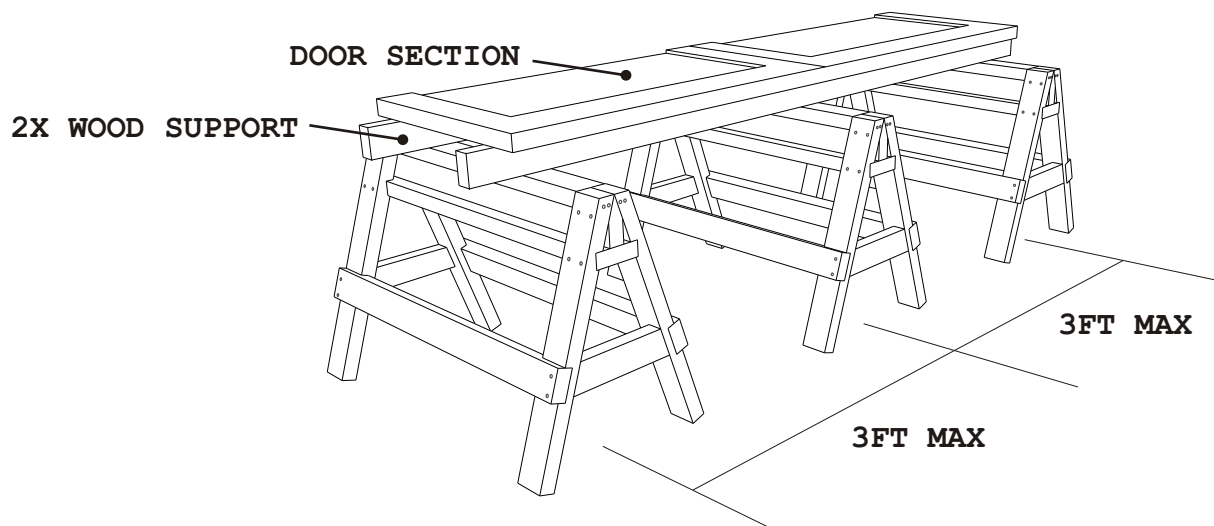


FINISHING DOORS

Doors **MUST** be finished within 10 days of delivery AND prior to installation.

Always rest door section on top of saw horses with 2X's running under section between saw horses as shown.

Space saw horses a maximum of 3 feet apart to provide adequate support and to prevent bowing of door section.



CAMBRIDGE DOOR PAINTING and HANDLING INSTRUCTIONS

Storage and Handling

Door sections should always be stored on flat, carefully leveled supports, and kept in a clean, dry, and well-ventilated building.

Do not deliver door sections to a job site until concrete floors and painted walls are thoroughly dry.

Door sections should never be exposed to excessive moisture, heat, dryness, or direct sunlight.

NOTE: Door sections MUST be finished within 10 days of delivery and prior to installation using the Finishing guidelines below for warranty to remain in effect. Paint-grade doors cannot be stained.

Finishing

Door sections must be resting flat on leveled supports using one pair of 2 x 4's running underneath each section lengthwise.

DO NOT REST DOOR SECTIONS ACROSS SAW HORSES WITHOUT SUPPORT RUNNING THE FULL LENGTH OF THE SECTIONS OR BOWING MAY RESULT!

Paint-Grade Wood Composite Doors

All Cambridge paint-grade doors are furnished "factory primed". The end user is required to apply two layers of top coat using a quality **LATEX EXTERIOR** paint **ON BOTH SIDES and ALL EDGES. ADDITIONALLY, WINDOW RETAINERS MUST BE REMOVED, GLASS TAKEN OUT AND BACK OF GRILLES PAINTED AS PREVIOUSLY DESCRIBED.** Since primers are not designed to be exposed to the weather, top coats are **required** for complete protection. General Doors Corporation highly recommends the top coat to be applied prior to installation to achieve maximum protection. Excessive exposure of the primer coat to moisture will compromise the finishing system and VOID the warranty.

General Doors Corporation warrants that its door sections are manufactured to meet or exceed industry standards at time of shipment. Failure to follow the recommended finishing instructions below may lead to premature failure and VOID the factory warranty.